

ERA[®]
SOLAR

STOCK CODE: **002641**



**SOLAR
LIGHT**

ERA
SOLAR

ZHEJIANG ERA SOLAR TECHNOLOGY CO.,LTD.
No.888 Huangjiao Road, Huangyan,
Taizhou, Zhejiang, 318020, China

Tel: 0086-576-84168160
0086-576-84166969
Fax: 0086-576-84166172
Email: solar@era.com.cn
Web: www.erasolar.com.cn



www.erasolar.com.cn

COMPANY PROFILE

Solar energy greens the life
Solar lights illuminate the future.



Founded in January 2006, Zhejiang ERA Solar Technology Co., Ltd. is one of the council members of China Association of Building Energy Efficiency and the wholly-owned subsidiary of Yonggao Co., Ltd (stock code: 002641). The company is devoted to the field of solar photovoltaic power generation system, dedicating to researching, manufacturing, and selling environmental-friendly products. After decades of accumulation, four series of products are available in ERA Solar, (hereafter, Zhejiang ERA Solar Technology Co., Ltd. will be referred as ERA Solar), including solar modules, solar lights, solar applications, and solar engineering projects. Among them, solar applications cover the widest scope, encompassing solar power banks, solar backpacks, foldable solar panels, solar air-heaters, solar water pumps, and many other solar commodities.

ERA Solar is a National High-tech Enterprise, a PV Applications' Pilot Base in Zhejiang province, and a national-recommended firm in the field of renewable energy and that of architectural application. Backed by its parent company which possesses national class postdoctoral programme and laboratory, ERA Solar employs leading PV authorities as its technical consultants, developing its product lines and innovating its technology. Hitherto, the company holds more than 50 patents, all of which own proprietary intellectual property rights and it was awarded Provincial Patent-Demonstrating Enterprise in 2011. Over 2,000 PV applications have been developed to cater to road construction, yard decoration, farmland operation, and other routine applications—it is technically an enterprise with an annual output of 500 megawatts. Today, ERA Solar has paced the whole nation in the field of PV industry, not only on its product lines, but also upon its innovation.



Solar Pathway Light



Solar Wall Light



EC23357

Rustic Solar Landscape Light

Stake Mount, Plastic Cage, Clear Plastic Lens, Black Finish

- Material:** Plastic
- Solar Panel:** Mono/Poly
- Light Source:** 1*LED/white
- Battery:** AA Ni-MH battery



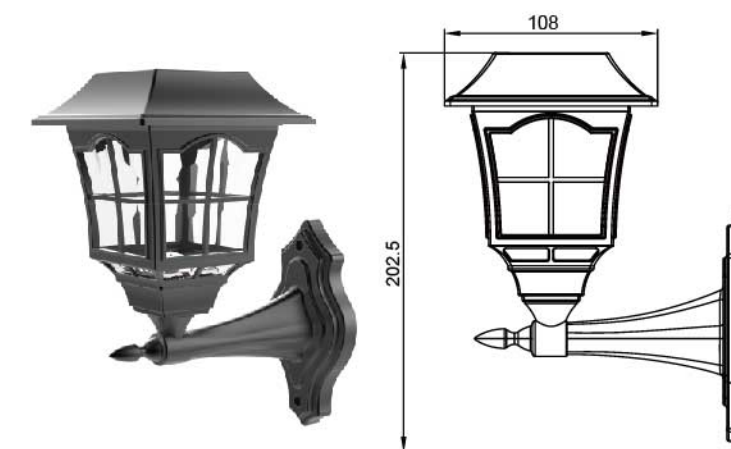
Individual Packing	Qty/Ctn (pcs)	CTN Measurement(mm)	CTN CBM	Qty/20'GP	Qty/40'GP	Qty/HQ
				pcs		
4pcs/box	24	675x235x320	0.038	17684	36632	42947

EC23357-C1

Rustic Solar Landscape Light

Wall Mount, Plastic Cage, Clear Plastic Lens, Black Finish

- Material:** Plastic
- Solar Panel:** Mono/Poly
- Light Source:** 1* LED/white
- Battery:** AA Ni-MH battery



Individual Packing	Qty/Ctn (pcs)	CTN Measurement(mm)	CTN CBM	Qty/20'GP	Qty/40'GP	Qty/HQ
				pcs		
4pcs/box	8	465x240x620	0.069	3246	6725	7884

Retro Cut-out Solar Light



Retro Cut-out Solar Light

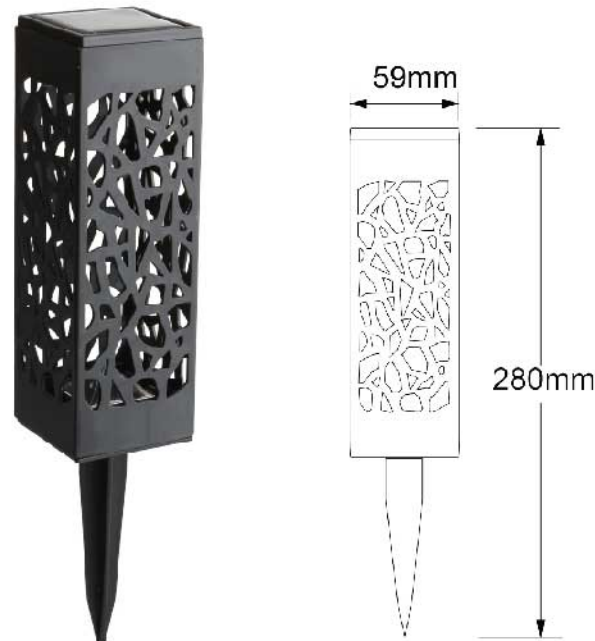


EC23291-2

Irregularly Cut-out Solar Pathway Light

Irregularly Cut-out Plastic Cage, Black Finish

- Material:** Plastic
- Solar Panel:** Mono/Poly/Amorphous
- Light Source:** 1*LED/white
- Battery:** AAA Ni-MH battery



5 Lumens, NI-MH, LED, Mono/Poly/Amorphous, 8h

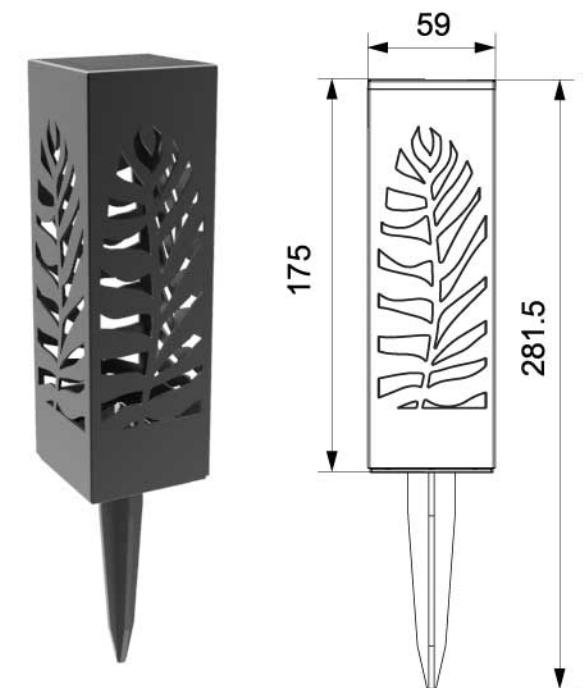
Individual Packing	Qty/Ctn (pcs)	CTN Measurement(mm)	CTN CBM	Qty/20'GP	Qty/40'GP	Qty/HQ
				pcs		
PDQ24	24	380x260x275	0.027	23850	49466	58300

EC23291-5

Leaf Cut-out Solar Pathway Light

Leaf Cut-out Plastic Cage Black Finish

- Material:** Plastic
- Solar Panel:** Mono/Poly/Amorphous
- Light Source:** 1*LED/white
- Battery:** AAA Ni-MH battery



5 Lumens, NI-MH, LED, Mono/Poly/Amorphous, 8h

Individual Packing	Qty/Ctn (pcs)	CTN Measurement(mm)	CTN CBM	Qty/20'GP	Qty/40'GP	Qty/HQ
				pcs		
PDQ24	24	380x260x275	0.027	23850	49466	58300

Retro Cut-out Solar Light

Retro Cut-out Solar Light

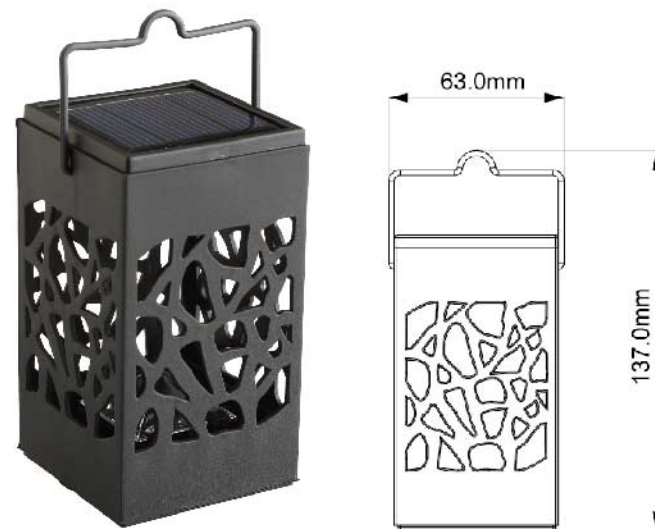


EC23291-D2

Irregularly Cut-out Mini Solar Lamp

Irregularly Cut-out Plastic Cage,
Multiple -Color Options, Hook / Table Mount

- Material:** Plastic
- Solar Panel:** Mono/Poly/Amorphous
- Light Source:** 1*LED/white
- Battery:** AAA Ni-MH battery



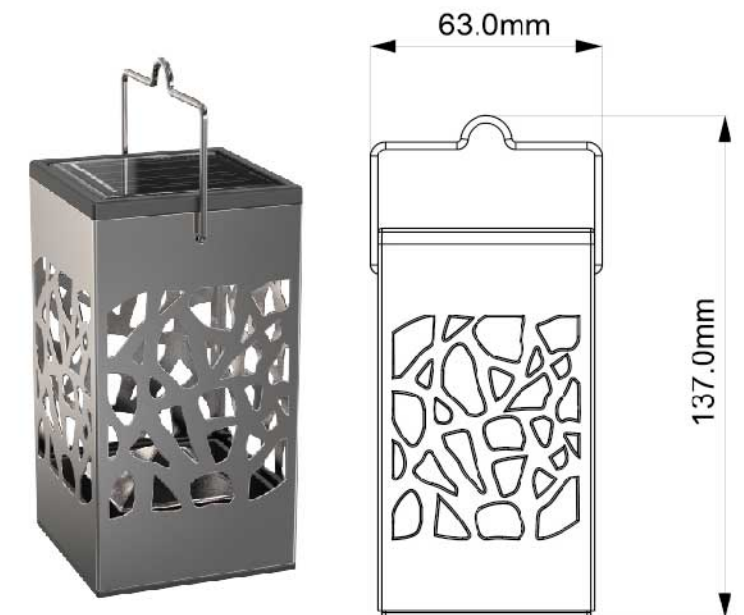
Individual Packing	Qty/Ctn (pcs)	CTN Measurement(mm)	CTN CBM	Qty/20'GP	Qty/40'GP	Qty/HQ
				pcs		
PDO24	48	415x295x235	0.029	45047	93431	11011

EC11103-D2

Irregularly Cut-out Mini Solar Lamp

Irregularly Cut-out SS Cage, Hook / Table Mount

- Material:** Stainless Steel + Plastic
- Solar Panel:** Mono/Poly/Amorphous
- Light Source:** 1*LED/white
- Battery:** AAA Ni-MH battery



Individual Packing	Qty/Ctn (pcs)	CTN Measurement(mm)	CTN CBM	Qty/20'GP	Qty/40'GP	Qty/HQ
				pcs		
PDO24	48	415x295x240	0.029	44109	91485	10782

Retro Cut-out Solar Light

Solar Outdoor Wall Light



EC23288

**American Pastoral
Solar Pathway Light**

Shepherd Hook Mount, American Pastoral Cut-out Plastic Cage, Slightly Frosted Plastic Lens, Bronze Finish

- Material:** Plastic
- Solar Panel:** Mono/Poly
- Light Source:** 1*SMD LED/white
- Battery:** AA Ni-MH battery



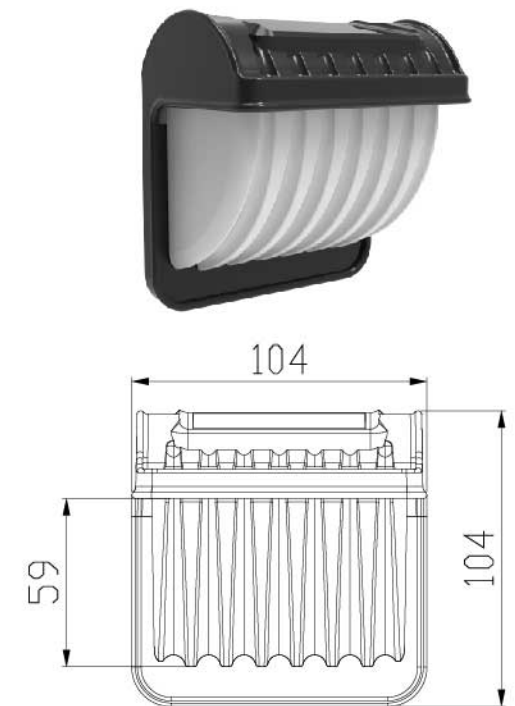
Individual Packing	Qty/Ctn (pcs)	CTN Measurement(mm)	CTN CBM	Qty/20'GP	Qty/40'GP	Qty/HQ
				pcs		
PDQ24	24	465x315x330	0.048	13406	27805	32770

EC23322

Solar Outdoor Wall Light

Wall/Step/Fence Mount

- Material:** Plastic
- Solar Panel:** Mono/Poly
- Light Source:** 1*LED/white
- Battery:** AA Ni-MH battery



Individual Packing	Qty/Ctn (pcs)	CTN Measurement(mm)	CTN CBM	Qty/20'GP	Qty/40'GP	Qty/HQ
				pcs		
6pcs/box	24	360x250x340	0.031	20903	44129	51870



EC11122

Snowflake Solar Pathway Light

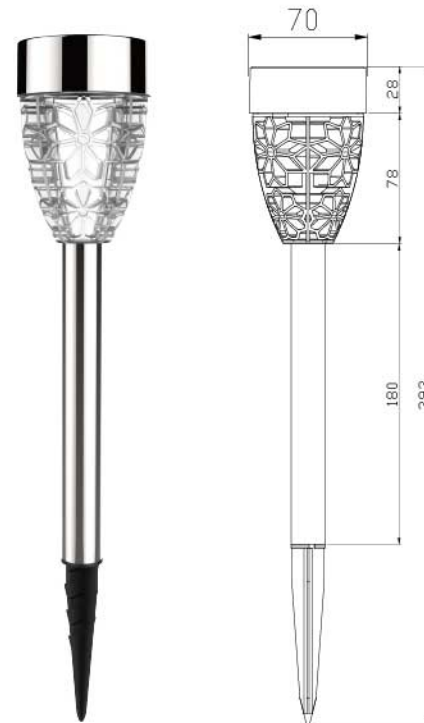
Snowflake Plastic Lens

Material: Stainless Steel + Plastic

Solar Panel: Amorphous

Light Source: 1*LED/RGB

Battery: AAA Ni-MH battery



Individual Packing	Qty/Ctn (pcs)	CTN Measurement(mm)	CTN CBM	Qty/20'GP	Qty/40'GP	Qty/HQ
				pcs		
PDO24	24	525x360x325	0.061	10622	22032	25967

EC11140

Torch Solar Pathway Light

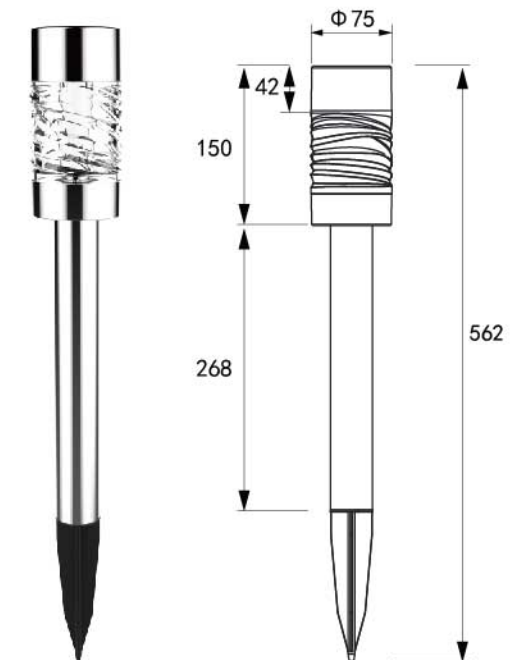
Spiral Plastic Lens

Material: Stainless Steel+Plastic

Solar Panel: Mono/Poly

Light Source: 1* LED/white

Battery: AA Ni-MH battery



Individual Packing	Qty/Ctn (pcs)	CTN Measurement(mm)	CTN CBM	Qty/20'GP	Qty/40'GP	Qty/HQ
				pcs		
2pcs/box	6	495x325x310	0.05	3120	6960	8040

Classic Solar Pathway Light



Bollard Solar Pathway Light



EC11014

Classic Brimmed Solar Pathway Light

Fluted Plastic Lens, Plastic Diffuser

Material: Stainless Steel+Plastic

Solar Panel: Mono/Poly

Light Source: 1*LED/white

Battery: AA Ni-MH battery



Individual Packing	Qty/Ctn (pcs)	CTN Measurement(mm)	CTN CBM	Qty/20'GP	Qty/40'GP	Qty/HQ
				pcs		
2pcs/box	48	540x455x440	0.108	11988	24864	29304

EC11045

Classic Round Bollard Solar Pathway Light

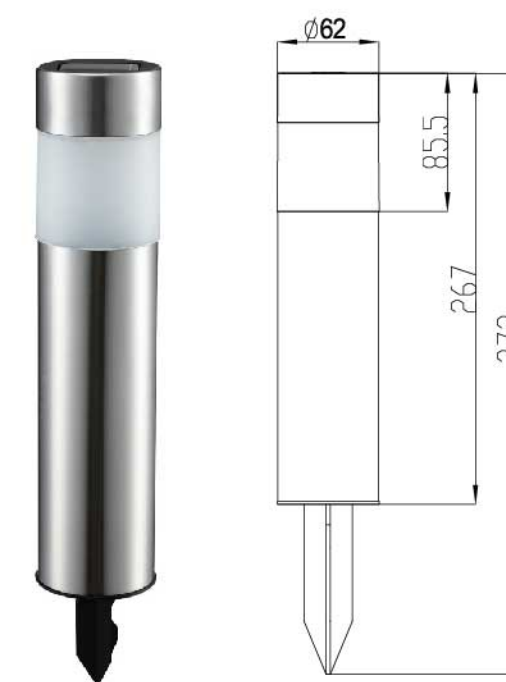
Frosted Plastic Lens

Material: Stainless Steel + Plastic

Solar Panel: Amorphous

Light Source: 1*LED/white

Battery: AAA Ni-MH battery



Individual Packing	Qty/Ctn (pcs)	CTN Measurement(mm)	CTN CBM	Qty/20'GP	Qty/40'GP	Qty/HQ
				pcs		
2pcs/box	24	405x275x295	0.033	19723	40906	48211

Bollard Solar Pathway Light



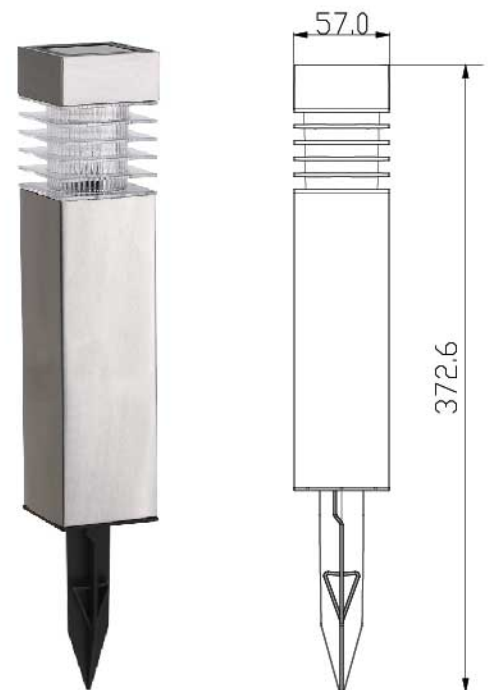
Bollard Solar Pathway Light



EC11115

Classic Square Bollard Solar Pathway Light
Multilayered Plastic Lens

- Material:** Stainless Steel+Plastic
- Solar Panel:** Amorphous
- Light Source:** 1*LED/white
- Battery:** AAA Ni-MH battery

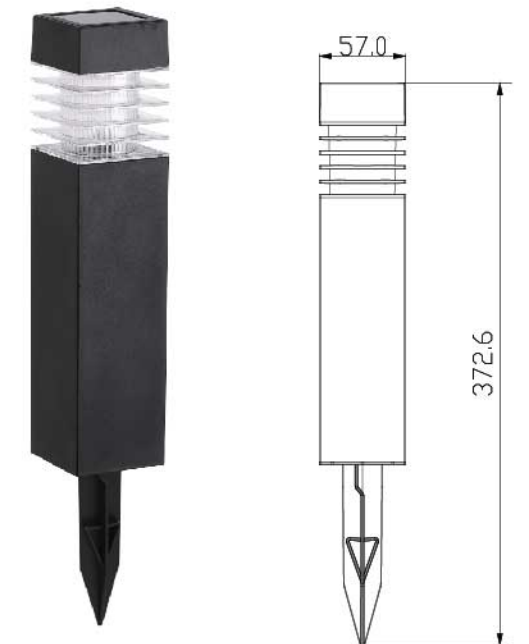


Individual Packing	Qty/Ctn (pcs)	CTN Measurement(mm)	CTN CBM	Qty/20'GP	Qty/40'GP	Qty/HQ
				pcs		
PDQ16	16	260x260x270	0.018	23669	49091	57857

EC23310

Classic Square Bollard Solar Pathway Light
Multilayered Plastic Lens, Black Finish

- Material:** Plastic
- Solar Panel:** Amorphous
- Light Source:** 1*LED/white
- Battery:** AAA Ni-MH battery



Individual Packing	Qty/Ctn (pcs)	CTN Measurement(mm)	CTN CBM	Qty/20'GP	Qty/40'GP	Qty/HQ
				pcs		
PDQ24	24	380x260x275	0.027	23850	49466	58300

Bollard Solar Pathway Light



Classic Solar Pathway Light

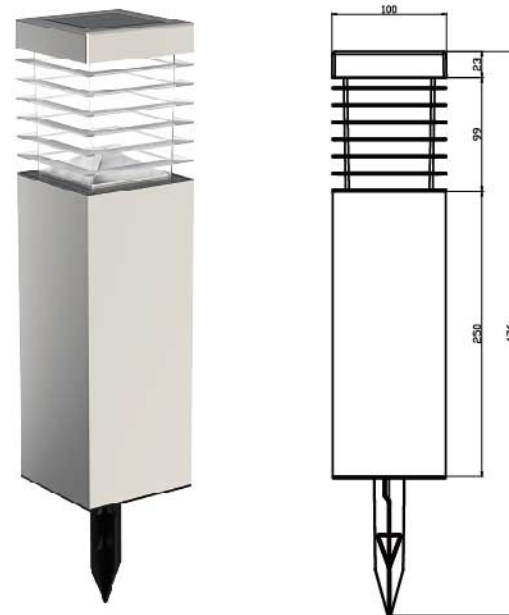


EC11117

Mega Square Bollard Solar Pathway Light

High Lumen Output Multilayered Plastic Lens

- Material:** Stainless Steel+Plastic
- Solar Panel:** Mono/Poly
- Light Source:** 1*SMD LED/white
- Battery:** 14430 LiFePO4 Battery



25 Lumens, LiFePO4, SMD, Mono/Poly, 8h

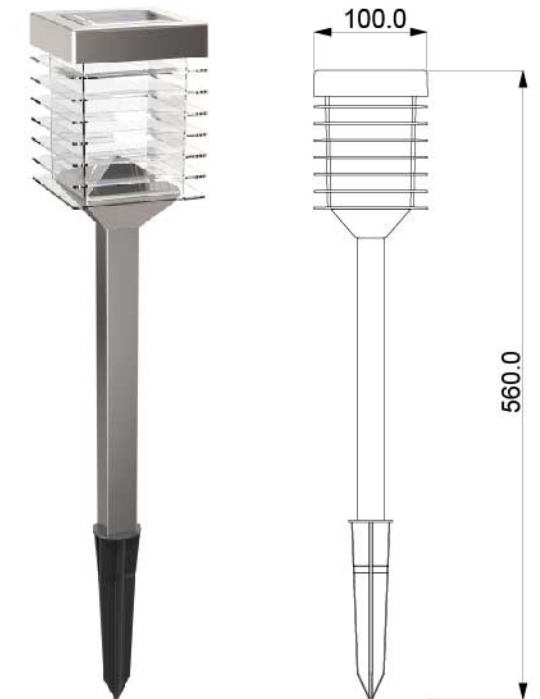
Individual Packing	Qty/Ctn (pcs)	CTN Measurement(mm)	CTN CBM	Qty/20'GP	Qty/40'GP	Qty/HQ
				pcs		
1pcs/box	12	460x395x405	0.074	4378	9081	10702

EC11085

Origami Solar Pathway Light

Multilayered Plastic Lens

- Material:** Stainless Steel+Plastic
- Solar Panel:** Mono/Poly
- Light Source:** 1*SMD LED/white
- Battery:** 14430 LiFePO4 battery



15 Lumens, LiFePO4, SMD, Mono/Poly, 8h

Individual Packing	Qty/Ctn (pcs)	CTN Measurement(mm)	CTN CBM	Qty/20'GP	Qty/40'GP	Qty/HQ
				pcs		
2pcs/box	24	440x370x415	0.068	9591	19893	23445



EC11047

Ceylon Ribbed Solar Pathway Light

Fluted Plastic Lens, Plastic Diffuser

Material: Stainless Steel+Plastic

Solar Panel: Mono/Poly

Light Source: 1*LED/white

Battery: AA Ni-MH battery



Individual Packing	Qty/Ctn (pcs)	CTN Measurement(mm)	CTN CBM	Qty/20'GP	Qty/40'GP	Qty/HQ
				pcs		
PDQ12	12	380x280x345	0.037	8826	18307	21576

EC11055

Ipomoea Alba Solar Pathway Light

Ribbed Plastic Lens

Material: Stainless Steel+Plastic

Solar Panel: Mono/Poly

Light Source: 1*LED/white

Battery: AA Ni-MH battery



Individual Packing	Qty/Ctn (pcs)	CTN Measurement(mm)	CTN CBM	Qty/20'GP	Qty/40'GP	Qty/HQ
				pcs		
2pcs/box	24	445x345x360	0.055	11782	24436	28800



EC11048

Boston Solar Pathway Light
Clear Plastic Lens, Plastic Diffuser

- Material:** Stainless Steel + Plastic
- Solar Panel:** Mono/Poly
- Light Source:** 1*LED/RGB
- Battery:** AA Ni-MH battery

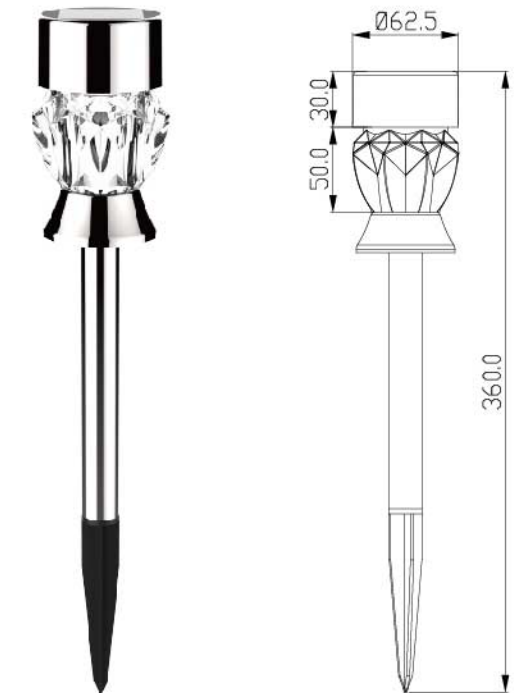


Individual Packing	Qty/Ctn (pcs)	CTN Measurement(mm)	CTN CBM	Qty/20'GP	Qty/40'GP	Qty/HQ
				pcs		
2pcs/box	24	520x265x395	0.054	11905	24692	29101

EC11124

Diamond Solar Pathway Light
Diamond Glass lens, Stake/Table Mount

- Material:** Stainless Steel+Glass+Plastic
- Solar Panel:** Amorphous
- Light Source:** 1*LED/RGB
- Battery:** AAA Ni-MH battery



Individual Packing	Qty/Ctn (pcs)	CTN Measurement(mm)	CTN CBM	Qty/20'GP	Qty/40'GP	Qty/HQ
				pcs		
PDO24	24	465x315x310	0.045	14400	30399	35733

Classic Solar Pathway Light



EC11060

**Morning Glory
Solar Pathway Light**

Swirl Plastic/Glass Lens

Material: Stainless Steel+Plastic

Panel: Mono/Poly/Amorphous

Light Source: 1*LED/white

Battery: AA Ni-MH battery



Individual Packing	Qty/Ctn (pcs)	CTN Measurement(mm)	CTN CBM	Qty/20'GP	Qty/40'GP	Qty/HQ
				pcs		
2pcs/box	24	485x375x290	0.053	12286	25482	30032

EC11059

**Crackle Sphere
Solar Pathway Light**

Crackle Sphere Glass Lens

Material: Stainless Steel+Glass+Plastic

Solar Panel: Amorphous

Light Source: 1*LED/RGB

Battery: AA Ni-MH battery



Individual Packing	Qty/Ctn (pcs)	CTN Measurement(mm)	CTN CBM	Qty/20'GP	Qty/40'GP	Qty/HQ
				pcs		
2pcs/box	36	620x320x300	0.060	16331	33871	39919



EC11062

Tulip Solar Pathway Light
Fluted Plastic/Glass Lens

- Material:** Stainless Steel+Plastic
- Solar Panel:** Mono/Poly
- Light Source:** 2*SMD LEDs/white
- Battery:** 14430 LiFePO4 battery



10 Lumens, LiFePO4, SMD, Mono/Poly, 8h

Individual Packing	Qty/Ctn (pcs)	CTN Measurement(mm)	CTN CBM	Qty/20'GP	Qty/40'GP	Qty/HQ
				pcs		
8pcs/box	16	575x355x390	0.080	5427	11255	13265

EC11088

Mediterranean Solar Pathway Light
Water Glass Lens

- Material:** Stainless Steel+Glass+Plastic
- Solar Panel:** Mono/Poly
- Light Source:** 1*LED/white
- Battery:** AA Ni-MH battery



5 Lumens, Ni-MH, LED, Mono/Poly, 8h

Individual Packing	Qty/Ctn (pcs)	CTN Measurement(mm)	CTN CBM	Qty/20'GP	Qty/40'GP	Qty/HQ
				pcs		
PDO9	9	405x405x385	0.063	3848	7981	9406

Classic Solar Pathway Light



EC11053

Grail Solar Pathway Light

Fluted Plastic Lens, Plastic Diffuser

Material: Stainless Steel+Plastic

Solar Panel: Mono/Poly/Amorphous

Light Source: 1*LED/white

Battery: AA Ni-MH battery



Individual Packing	Qty/Ctn (pcs)	CTN Measurement(mm)	CTN CBM	Qty/20'GP	Qty/40'GP	Qty/HQ
				pcs		
1pcs/box	24	380x345x370	0.049	13359	27707	32655

Classic Solar Pathway Light

EC23234

Walden Solar Pathway Light

Grid Plastic Cage, Clear Plastic Lens, Black Finish

Material: Plastic

Solar Panel: Mono/Poly

Light Source: 1*LED/white

Battery: AA Ni-Mh Battery



Individual Packing	Qty/Ctn (pcs)	CTN Measurement(mm)	CTN CBM	Qty/20'GP	Qty/40'GP	Qty/HQ
				pcs		
PDQ12	12	435x335x295	0.043	7537	15632	18423

Classic Solar Pathway Light



Mini Solar Pathway Light

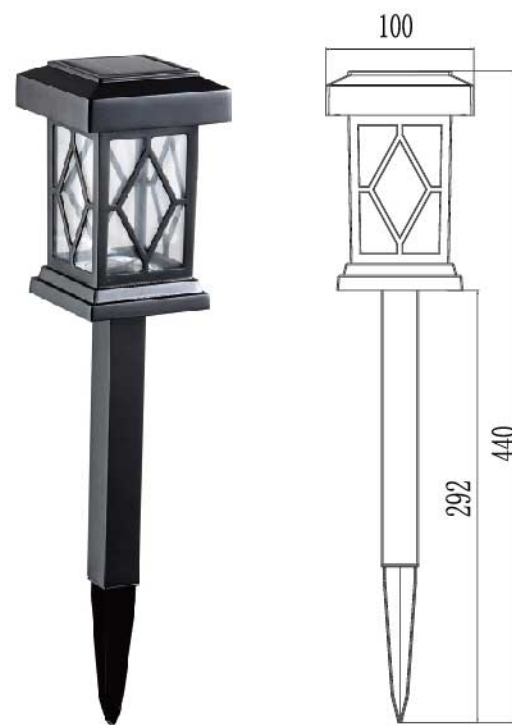


EC23245

Post Modern Solar Pathway Light

Wall/Stake Mount, Diamond Plastic Cage, Clear Plastic Lens, Black Finish

- Material:** Plastic
- Solar Panel:** Mono/Poly
- Light Source:** 1*LED/white
- Battery:** AA Ni-MH battery



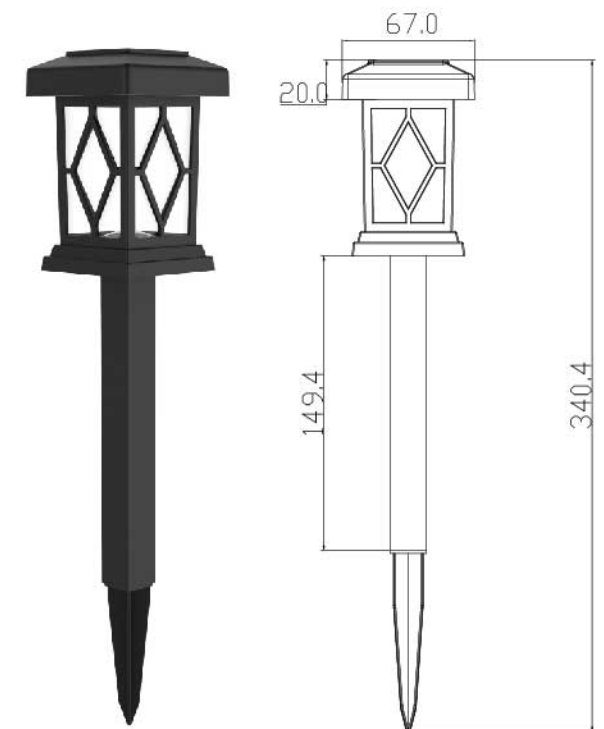
Individual Packing	Qty/Ctn (pcs)	CTN Measurement(mm)	CTN CBM	Qty/20'GP	Qty/40'GP	Qty/HQ
				pcs		
1pcs/box	36	510x360x560	0.103	9454	19608	23109

EC23346

Mini Solar Pathway Light

Diamond Plastic Cage, Clear Plastic Lens, Black Finish

- Material:** Plastic
- Solar Panel:** Amorphous
- Light Source:** 1*LED/white
- Battery:** AAA Ni-MH battery



Individual Packing	Qty/Ctn (pcs)	CTN Measurement(mm)	CTN CBM	Qty/20'GP	Qty/40'GP	Qty/HQ
				pcs		
PDO24	24	445x305x275	0.037	17513	36324	42810

Classic Solar Pathway Light



Classic Solar Pathway Light



EC23216

Pagoda Solar Pathway Light

Wall/Stake/Table/Hook Mount, Pentagonal Plastic Cage, Clear Plastic Lens, Plastic Diffuser, Black Finish

- Material:** Plastic
- Solar Panel:** Mono/Poly
- Light Source:** 1*LED/white
- Battery:** AA Ni-MH battery



Individual Packing	Qty/Ctn (pcs)	CTN Measurement(mm)	CTN CBM	Qty/20'GP	Qty/40'GP	Qty/HQ
				pcs		
1pcs/box	12	465x345x290	0.047	6964	14444	17024

EC23216-D1

Pagoda Solar Pathway Light

Hook Mount, Pentagonal Plastic Cage, Clear Plastic Lens, Plastic Diffuser, Black Finish

- Material:** Plastic
- Solar Panel:** Mono/Poly
- Light Source:** 1*LED/white
- Battery:** AA Ni-MH battery



Individual Packing	Qty/Ctn (pcs)	CTN Measurement(mm)	CTN CBM	Qty/20'GP	Qty/40'GP	Qty/HQ
				pcs		
2pcs/box	48	545x330x320	0.058	22519	47540	55880

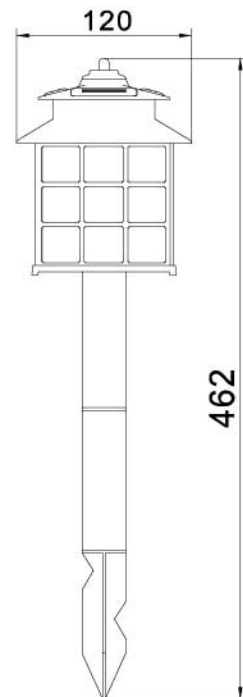


EC23134

**Baroque Court
Solar Pathway Light**

Different Cage Option, Clear Plastic Lens, Plastic Diffuser, Black Finish

- Material:** Plastic
- Solar Panel:** Mono/Poly
- Light Source:** 1*LED/white
- Battery:** AA Ni-MH Battery



1.5 Lumens, Ni-MH, LED, Mono/Poly, 8h

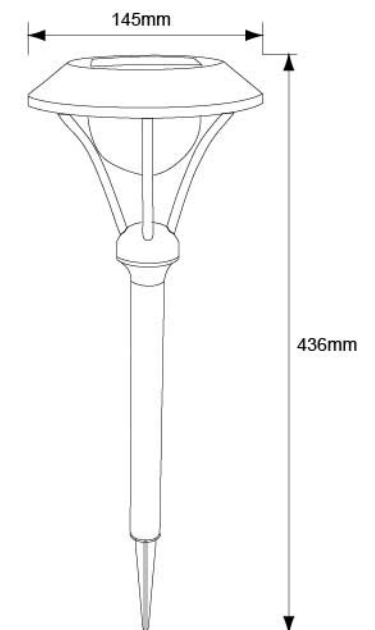
Individual Packing	Qty/Ctn (pcs)	CTN Measurement(mm)	CTN CBM	Qty/20'GP	Qty/40'GP	Qty/HQ
				pcs		
1pcs/box	24	520x305x545	0.086	7497	15549	18325

EC41015

**Saturn Aluminum
Solar Pathway Light**

Aluminum Cage, Plastic Diffuser, ORB Finish

- Material:** Aluminum + Plastic
- Solar Panel:** Mono/Poly
- Light Source:** 1*SMD LED/white
- Battery:** 14430 LiFePO4 battery



10 Lumens, LiFePO4, SMD, Mono/Poly, 8h

Individual Packing	Qty/Ctn (pcs)	CTN Measurement(mm)	CTN CBM	Qty/20'GP	Qty/40'GP	Qty/HQ
				pcs		
6pcs/box	12	427x312x365	0.049	6663	13820	16287

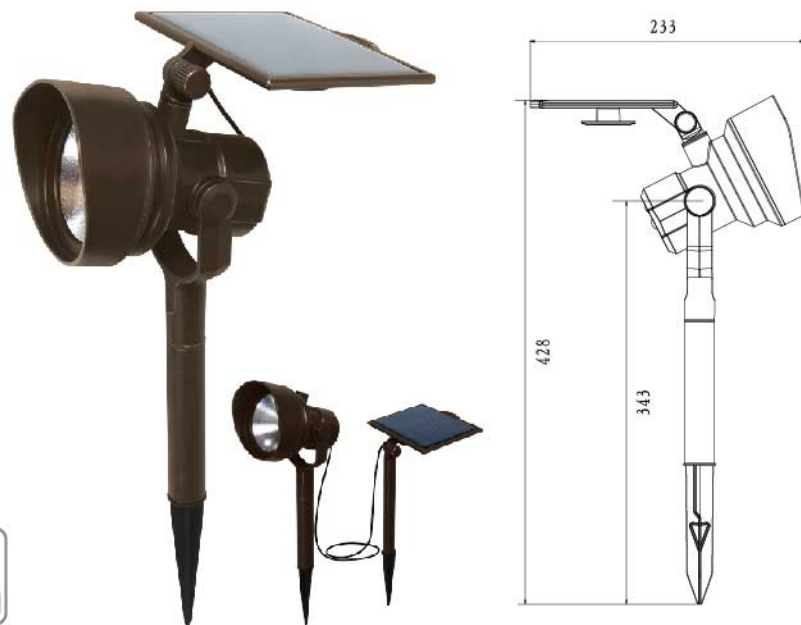


EC41013

Fancy Super Bright Aluminum Solar Spot Light

Higher Lumen Output, Detachable Solar Panel, Clear Plastic Lens, ORB Finish

- Material:** Aluminum + Plastic
- Solar Panel:** Mono/Poly
- Light Source:** 4*SMD LEDs/white
- Battery:** 18500 LiFePO4 battery



100 Lumens, LiFePO4, SMD, Mono/Poly, 8h

Individual Packing	Qty/Ctn (pcs)	CTN Measurement(mm)	CTN CBM	Qty/20'GP	Qty/40'GP	Qty/HQ
				pcs		
1pcs/box	2	335x230x195	0.015	3594	7454	8786

EC23276-1

High Lumen All-in-one Solar Spot Light

High Lumen Output, All-in-one Type, Clear Plastic Lens, Black Finish

- Material:** Plastic
- Solar Panel:** Mono/Poly
- Light Source:** 1*SMD LED/white
- Battery:** 14430 LiFePO4 battery



20 Lumens, LiFePO4, SMD, Mono/Poly, 8h

Individual Packing	Qty/Ctn (pcs)	CTN Measurement(mm)	CTN CBM	Qty/20'GP	Qty/40'GP	Qty/HQ
				pcs		
PDQ24	24	465x315x330	0.048	13406	27805	32770



EC23236

High Lumen All-in-one Solar Spot Light

High Lumen Output, All-in-one Type, Clear Plastic Lens, Black Finish

- Material:** Plastic
- Solar Panel:** Mono/Poly
- Light Source:** 1*SMD LED/white
- Battery:** 14430 LiFePO4 battery



Individual Packing	Qty/Ctn (pcs)	CTN Measurement(mm)	CTN CBM	Qty/20'GP	Qty/40'GP	Qty/HQ
				pcs		
PDQ12	12	415x365x305	0.046	7013	14545	17143

EC23217

All-in-one Solar Spot Light

All-in-one Type, Clear Plastic Lens, Black Finish

- Material:** Plastic
- Solar Panel:** Mono/Poly
- Light Source:** 3*LEDs/white
- Battery:** AA Ni-MH battery



Individual Packing	Qty/Ctn (pcs)	CTN Measurement(mm)	CTN CBM	Qty/20'GP	Qty/40'GP	Qty/HQ
				pcs		
1pcs/box	24	500x375x290	0.054	11917	24717	29131

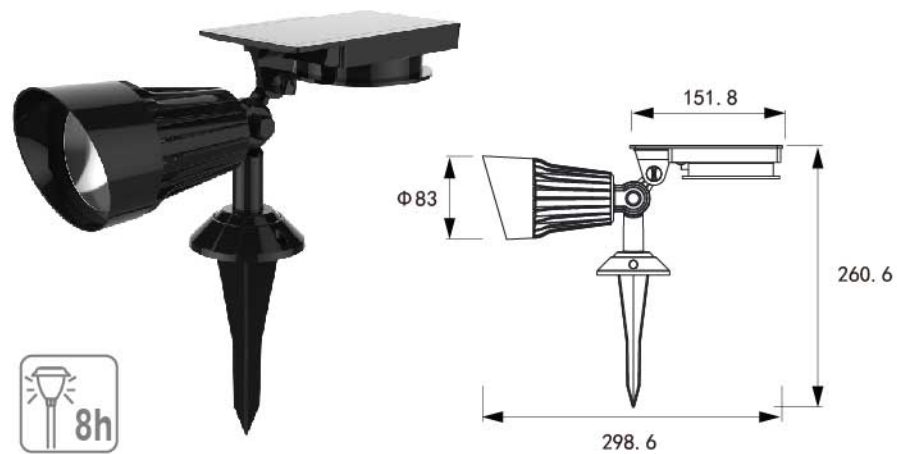


EC23366

High Lumen Solar Spot Light

High Lumen Output, Clear Plastic Lens, Black Finish

- Material:** Plastic
- Solar Panel:** Mono/Poly
- Light Source:** 1*SMD LED/white
- Battery:** 3*AA Ni-MH battery



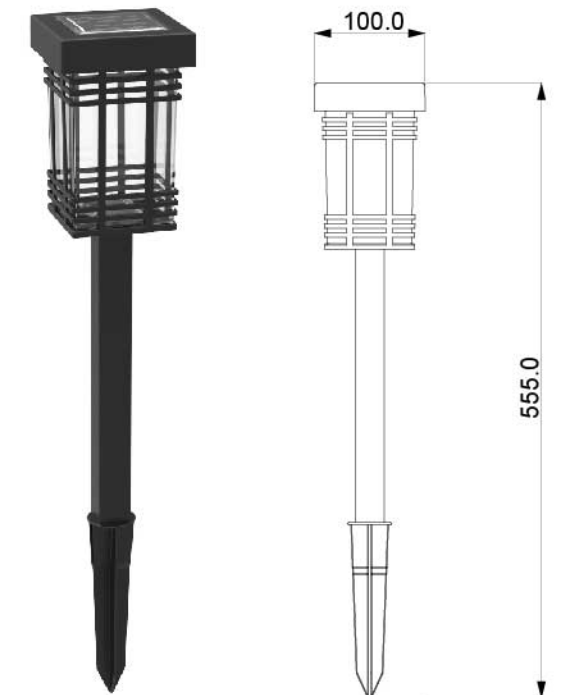
Individual Packing	Qty/Ctn (pcs)	CTN Measurement(mm)	CTN CBM	Qty/20'GP	Qty/40'GP	Qty/HQ
				pcs		
1pcs/box	24	500x375x290	0.054	11917	24717	29131

EC23262

Retro Striped Solar Pathway Light

Plastic Cage, Clear Plastic Lens, Black Finish

- Material:** Plastic
- Solar Panel:** Mono/Poly
- Light Source:** 1*SMD LED/white
- Battery:** 14430 LiFePO4 battery



Individual Packing	Qty/Ctn (pcs)	CTN Measurement(mm)	CTN CBM	Qty/20'GP	Qty/40'GP	Qty/HQ
				pcs		
2pcs/box	24	435x410x430	0.077	8450	17838	20967

Christmas Solar Light

Christmas Solar Light



EC23348

Flexible Solar Stake Light

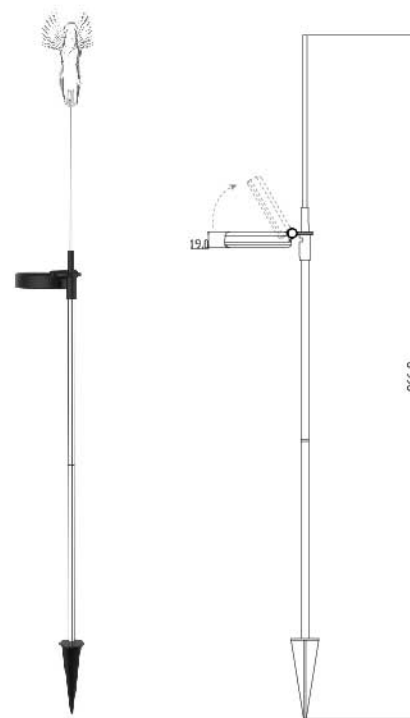
Angel, Cross, Sunflower Plastic Decors Option, Foldable Solar Panel

Material: Stainless Steel+Plastic

Solar Panel: Mono/Poly/Amorphous

Light Source: 1*LED/RGB

Battery: AA Ni-MH battery



Individual Packing	Qty/Ctn (pcs)	CTN Measurement(mm)	CTN CBM	Qty/20'GP	Qty/40'GP	Qty/HQ
				pcs		
2pcs/box	48	625x315x425	0.084	15489	32125	37862

EC21156

Traditional Solar Stake Light

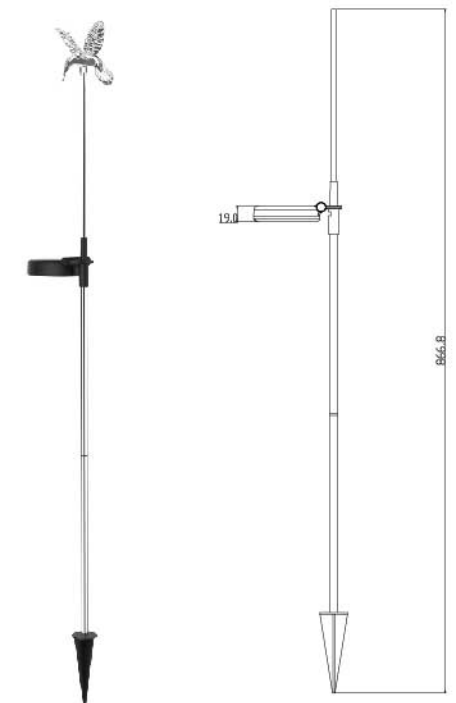
Multiple Choices of Plastic Decors, Traditional

Material: Stainless Steel+Plastic

Solar Panel: Mono/Poly

Light Source: 1*LED/RGB

Battery: AA Ni-MH battery



Individual Packing	Qty/Ctn (pcs)	CTN Measurement(mm)	CTN CBM	Qty/20'GP	Qty/40'GP	Qty/HQ
				pcs		
2pcs/box	48	625x315x425	0.084	15489	32125	37862



EC23204C

Solar String Light

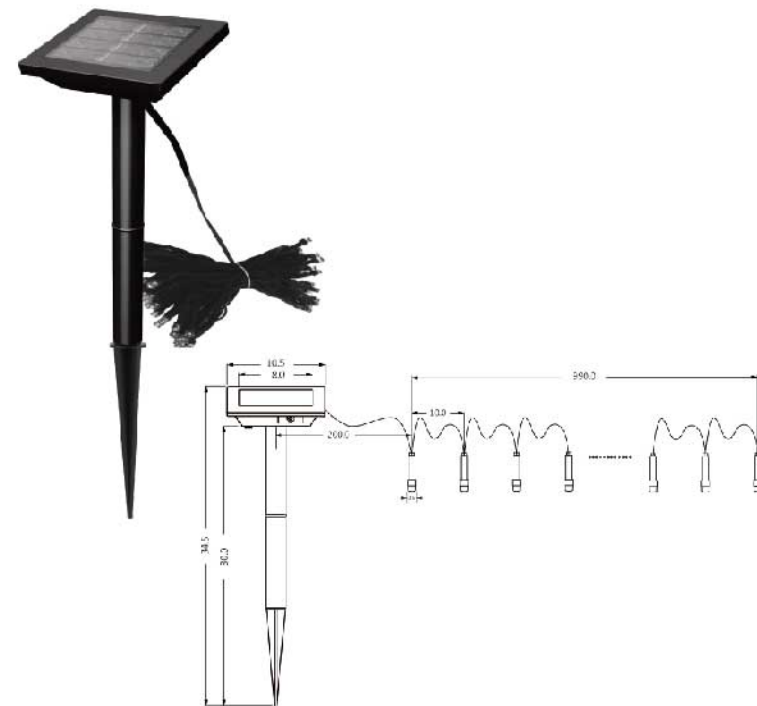
Mutple Choices of Plastic Decors,
Multiple Choices of LED Colors, Black Finish

Material: Plastic

Solar Panel: Mono/Poly

Light Source: LEDs/RGBY

Battery: AA Ni-Mh battery



Individual Packing	Qty/Ctn (pcs)	CTN Measurement(mm)	CTN CBM	Qty/20'GP	Qty/40'GP	Qty/HQ
				pcs		
1pcs/box	24	395x325x320	0.041	15804	33365	39219

EC41036

Rustic Solar Hurricane Lantern

Metal Cage, Water Glass Lens, Bronze Finish

Material: Metal + Glass + Plastic

Solar Panel: Mono/poly

Light Source: 1*SMD LED/white

Battery: AA Ni-MH battery



Individual Packing	Qty/Ctn (pcs)	CTN Measurement(mm)	CTN CBM	Qty/20'GP	Qty/40'GP	Qty/HQ
				pcs		
1pcs/box	24	440x330x270	0.039	16615	34461	41230



EC23345

Mini Solar Pathway Light

Floral Plastic Cage, Fluted Plastic Lens, Black Finish

- Material:** Plastic
- Solar Panel:** Amorphous
- Light Source:** 1*LED/white
- Battery:** AAA Ni-MH battery



1.2 Lumens, Ni-MH, LED, Amorphous, 8h

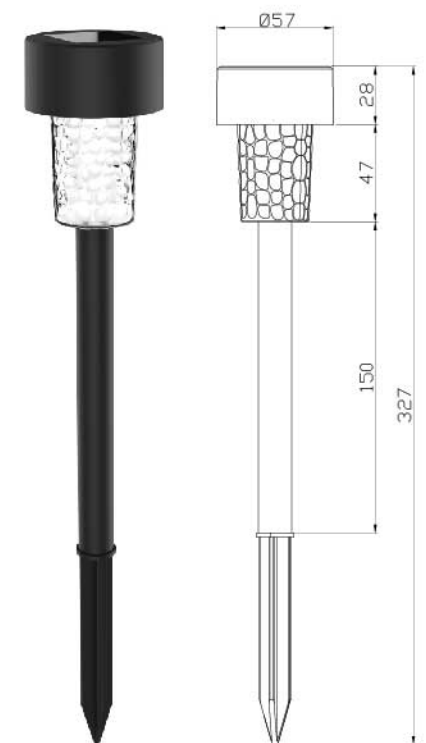
Individual Packing	Qty/Ctn (pcs)	CTN Measurement(mm)	CTN CBM	Qty/20'GP	Qty/40'GP	Qty/HQ
				pcs		
PDQ24	24	480x335x310	0.050	12960	26880	31680

EC23343

Mini Solar Pathway Light

Water Plastic Lens, Black Finish

- Material:** Plastic
- Solar Panel:** Amorphous
- Light Source:** 1*LED/white
- Battery:** AAA Ni-MH battery



1.2 Lumens, Ni-MH, LED, Amorphous, 8h

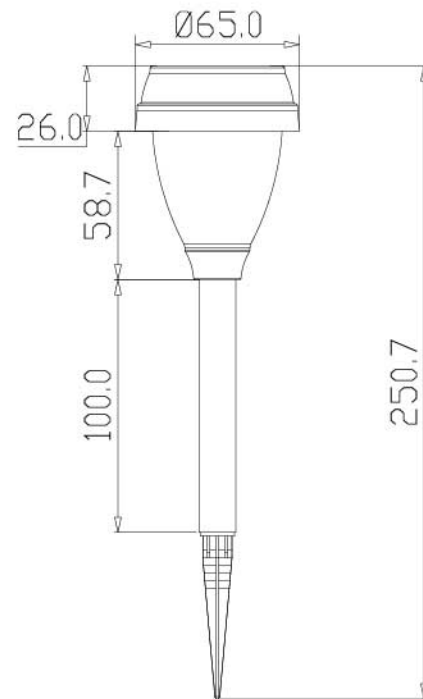
Individual Packing	Qty/Ctn (pcs)	CTN Measurement(mm)	CTN CBM	Qty/20'GP	Qty/40'GP	Qty/HQ
				pcs		
PDQ24	24	375x255x320	0.031	20903	43354	51096



EC23342

Mini Solar Pathway Light
Water Plastic Lens, Black Finish

- Material:** Plastic
- Solar Panel:** Amorphous
- Light Source:** 1*LED/white
- Battery:** AAA Ni-MH battery



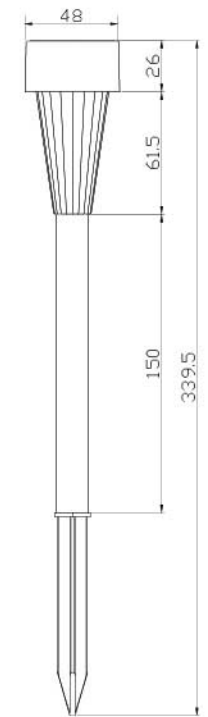
1.2 Lumens, Ni-MH, LED, Amorphous, 8h

Individual Packing	Qty/Ctn (pcs)	CTN Measurement(mm)	CTN CBM	Qty/20'GP	Qty/40'GP	Qty/HQ
				pcs		
PDQ24	24	420x295x270	0.033	19636	40727	48000

EC23351

Mini Solar Pathway Light
Fluted Clear Plastic Lens, Black Finish

- Material:** Plastic
- Solar Panel:** Amorphous
- Light Source:** 1*LED/white
- Battery:** Button battery



1 Lumens, Ni-MH, LED, Amorphous, 8h

Individual Packing	Qty/Ctn (pcs)	CTN Measurement(mm)	CTN CBM	Qty/20'GP	Qty/40'GP	Qty/HQ
				pcs		
PDQ24	24	325x225x270	0.020	32400	67200	79200



EC14011

Brilliant Solar Garden Light

High Lumen Output, SS Cage, Plastic Lens

Material: Stainless Steel+Plastic

Solar Panel: Mono/Poly

Light Source: 8*SMD LEDs/white

Battery: 18650 LiFePO4 Battery



Individual Packing	Qty/Ctn (pcs)	CTN Measurement(mm)	CTN CBM	Qty/20'GP	Qty/40'GP	Qty/HQ
				pcs		
1pcs/bo:	1	240x240x10	0.062	435	919	1080

EC11118

Mega Round Bollard Solar Pathway Light

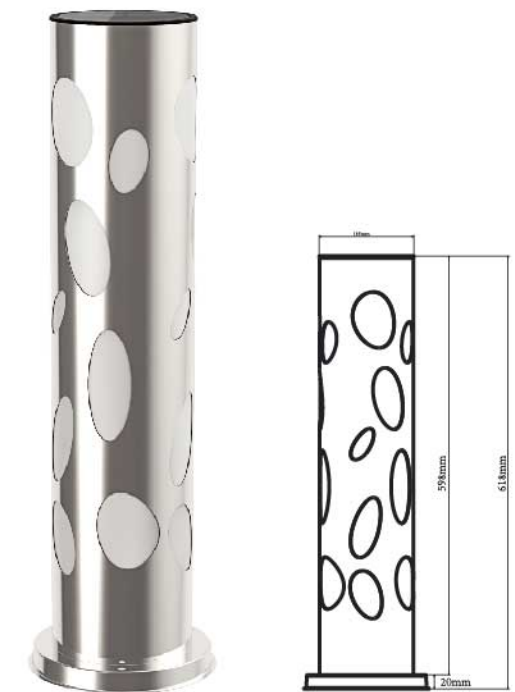
High Lumen Output, Circular Hollowed SS Cage

Material: Stainless Steel+Plastic

Solar Panel: Mono/Poly

Light Source: 1*SMD LED/white

Battery: 18500 LiFePO4 Battery



Individual Packing	Qty/Ctn (pcs)	CTN Measurement(mm)	CTN CBM	Qty/20'GP	Qty/40'GP	Qty/HQ
				pcs		
1pcs/box	4	425x425x670	0.121	892	1851	2181

Mini Solar Pathway Light



Solar Pathway Light



EC23311

Mini Solar Pathway Light

Multilayered Plastic Lens,
Multiple Choices of Finish

- Material:** Plastic
- Solar Panel:** Amorphous
- Light Source:** 1*LED/white
- Battery:** AAA Ni-MH battery



1.5 Lumens, Ni-MH, LED, Amorphous, 8h

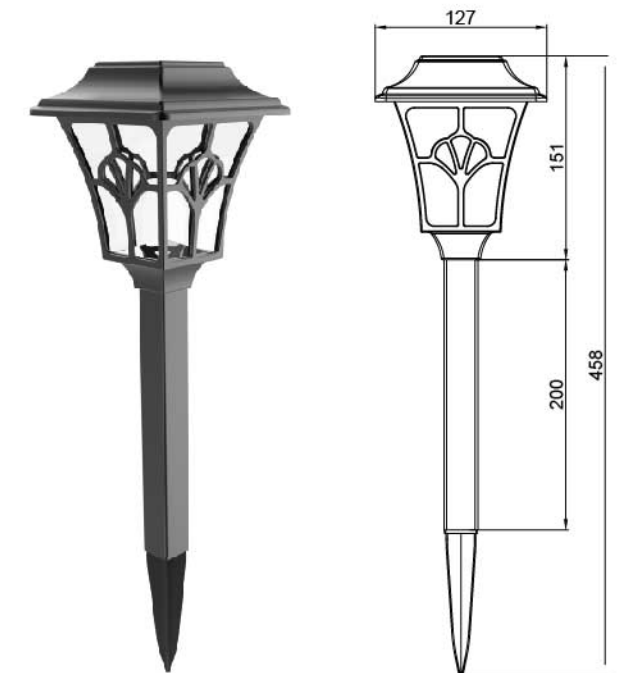
Individual Packing	Qty/Ctn (pcs)	CTN Measurement(mm)	CTN CBM	Qty/20'GP	Qty/40'GP	Qty/HQ
				pcs		
PDQ24	24	385x260x360	0.036	17982	37296	43956

EC11128

Vintage LED Solar Landscape Light

Stake Mount, Ginkgo-leaf Metal Cage,
Crackle Glass Lens/Clear Plastic Lens, Black Finish

- Material:** Metal
- Solar Panel:** Mono/Poly
- Light Source:** 1*SMD LED/white
- Battery:** AA Ni-MH battery



10 Lumens, Ni-MH, SMD, Mono/Poly, 8h

Individual Packing	Qty/Ctn (pcs)	CTN Measurement(mm)	CTN CBM	Qty/20'GP	Qty/40'GP	Qty/HQ
				pcs		
o/p box	1	600x340x300	0.061	7344	15213	17836

Solar Lantern



EC11129-1

Portable Cut-out Solar Lantern

Fancy Metal Cage, Retro Finish

- Material:** Metal
- Solar Panel:** Mono/Poly
- Light Source:** 1*SMD LED/white
- Battery:** AA Ni-MH battery



10 Lumens, Ni-MH, SMD, Mono/Poly, 8h

Individual Packing	Qty/Ctn (pcs)	CTN Measurement(mm)	CTN CBM	Qty/20'GP	Qty/40'GP	Qty/HQ
				pcs		
1pcs/box	4	520x520x390	0.105	1063	2201	2581

Solar Lantern

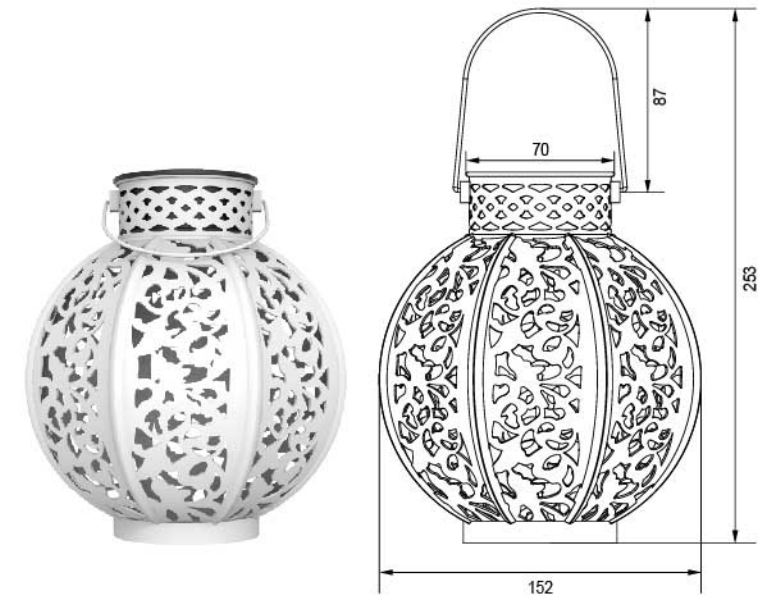


EC11132

Portable Cut-out Solar Lantern

Fancy Metal Cage, Retro Finish

- Material:** Metal
- Solar Panel:** Mono/Poly
- Light Source:** 1* LED/white
- Battery:** AAA Ni-MH battery



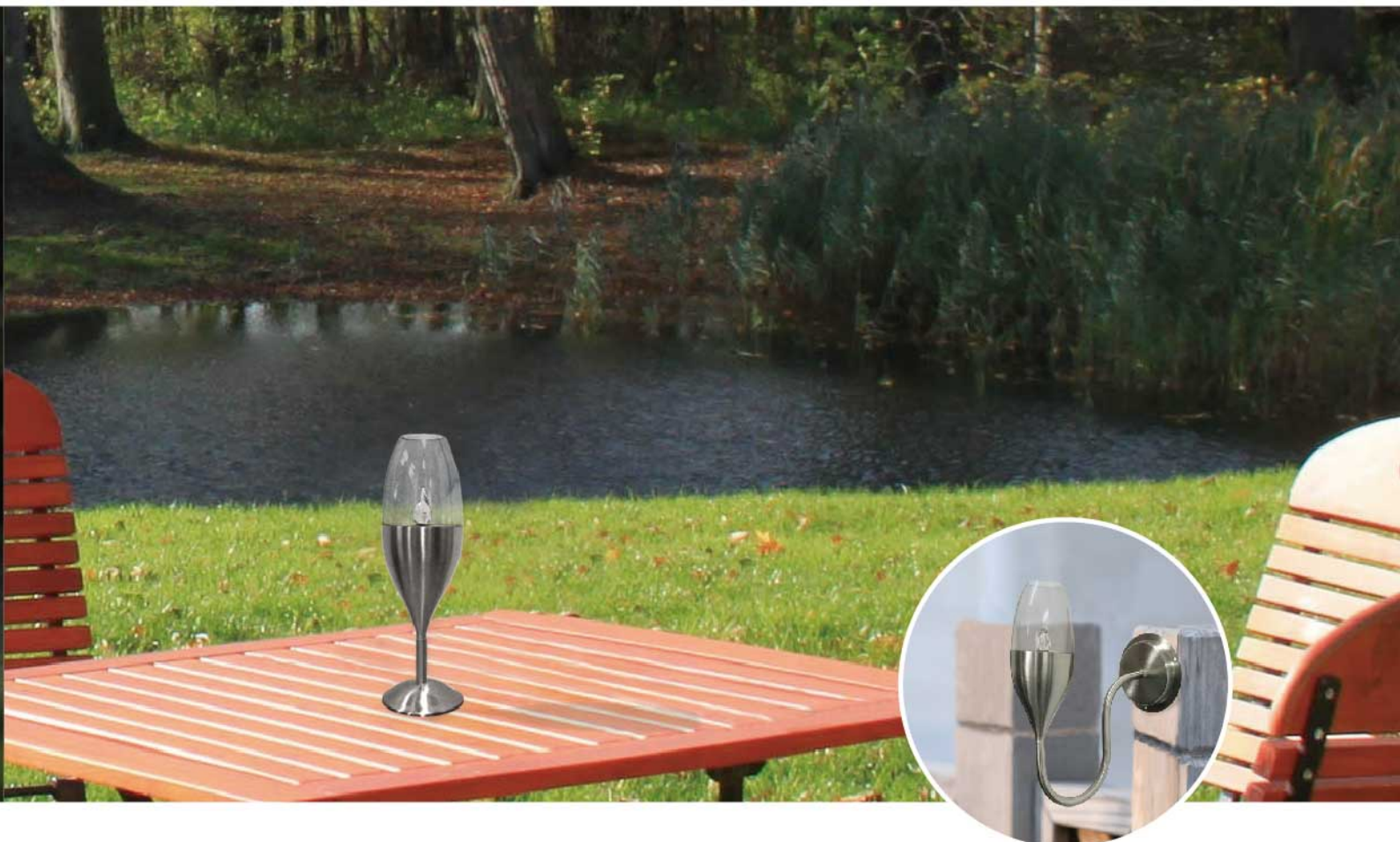
3 Lumens, Ni-MH, LED, Mono/Poly, 8h

Individual Packing	Qty/Ctn (pcs)	CTN Measurement(mm)	CTN CBM	Qty/20'GP	Qty/40'GP	Qty/HQ
				pcs		
1pcs/box	4	475x475x310	0.070	1600	3314	3886

Solar Flame Pathway Light



Solar Flame Light



EC11138

Cup Solar Flame Pathway Light

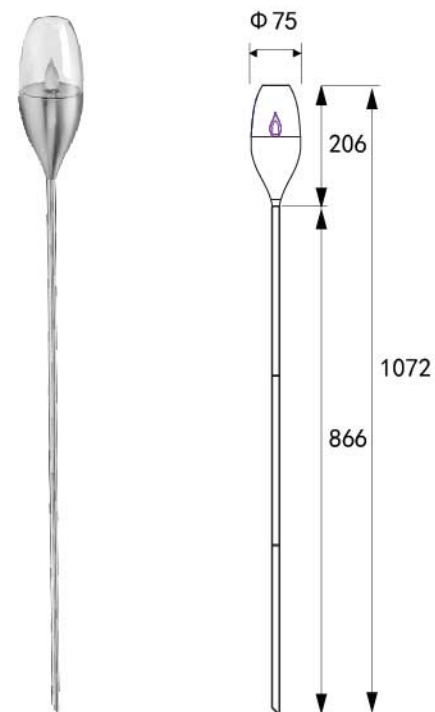
Plastic Lens, Flame Effect

Material: Stainless Steel+Plastic

Solar Panel: Mono/Poly

Light Source: 1*LED

Battery: AA Ni-MH battery



Individual Packing	Qty/Ctn (pcs)	CTN Measurement(mm)	CTN CBM	Qty/20'GP	Qty/40'GP	Qty/HQ
				pcs		
1pc/box	8	375x195x330	0.024	8664	19328	22664

EC11138-B1

Cup Solar Flame Light

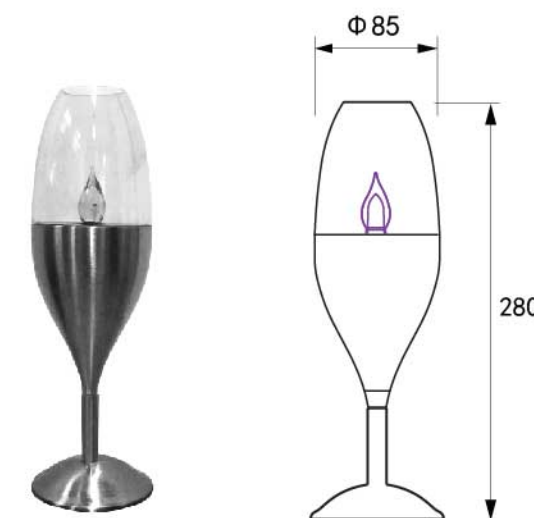
Plastic Lens, Flame Effect

Material: Stainless Steel+Plastic

Solar Panel: Mono/Poly

Light Source: 1*LED

Battery: AA Ni-MH battery



Individual Packing	Qty/Ctn (pcs)	CTN Measurement(mm)	CTN CBM	Qty/20'GP	Qty/40'GP	Qty/HQ
				pcs		
1pc/box	12	375x375x305	0.043	7260	15660	18972



EC23289-1

Vintage Cut-out Solar Flame Pathway Light

Baroque Style Cut-out Plastic Cage, Frosted Plastic Lens, Black Finish, Flame Effect

- Material:** Plastic
- Solar Panel:** Mono/Poly
- Light Source:** 90* LED
- Battery:** 14430 LiFePO4 Battery



Individual Packing	Qty/Ctn (pcs)	CTN Measurement(mm)	CTN CBM	Qty/20'GP	Qty/40'GP	Qty/HQ
				pcs		
2pcs/box	4	320x290x275	0.026	4153	8615	10153