

Power Tool Accessory in new case



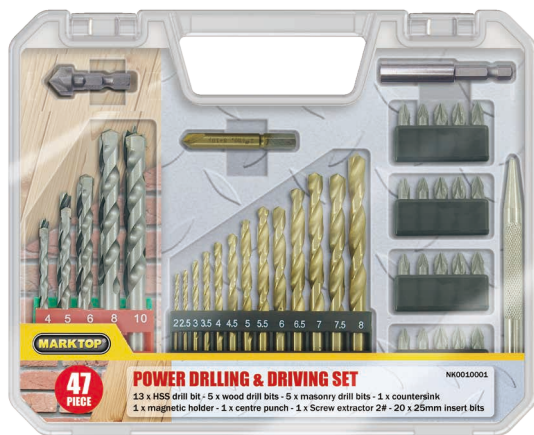
MARKTOP always focus
on developing all kinds
of new packaging upto
customer's requirement



EXTEND YOUR HANDS

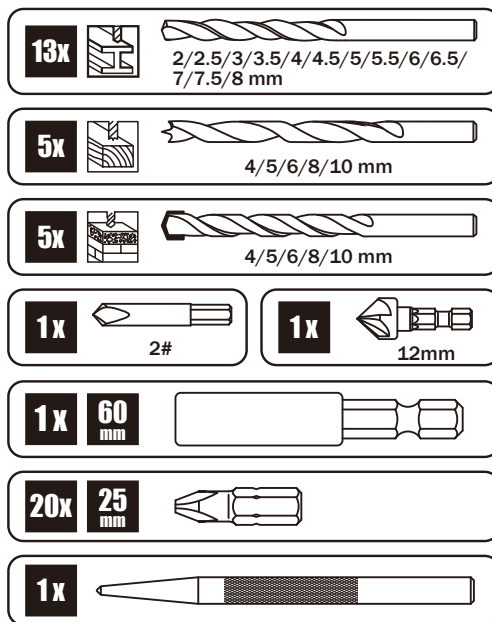
47PC POWER DRILLING & DRIVING SET

NK0010001



*Plastic Case Size: 240x195x28mm

*Material and surface of all contents can be changed upto customer's requirement.



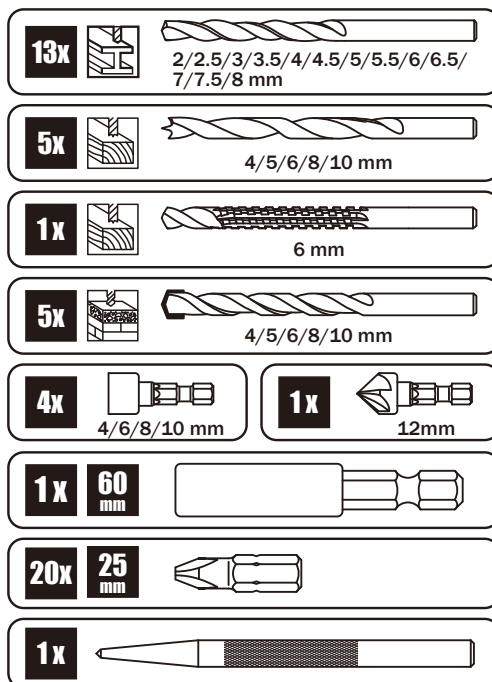
51PC POWER DRILLING & DRIVING SET

NK0010002



*Plastic Case Size: 240x195x28mm

*Material and surface of all contents can be changed upto customer's requirement.



31PC POWER DRILLING & DRIVING SET

NK0010003



- 6x**
3/4/5/6/8/10 mm
- 5x**
4/5/6/8/10 mm
- 2x**
6/8 mm
- 5x**
4/5/6/8/10 mm
- 1x**
60 mm
- 10x**
25 mm
- 1x**
12mm
- 1x**

*Plastic Case Size: 240x195x28mm

*Material and surface of all contents can be changed upto customer's requirement.

10PC HAMMER DRILL BIT SET



NK0010004



- 3x**
Length 110 mm
5/6/8 mm
- 5x**
Length 160 mm
6/6/8/10/12 mm
- 2x**
Length 210 mm
10/12 mm

*Plastic Case Size: 240x195x28mm

*Material and surface of all contents can be changed upto customer's requirement.

70PC ASSORTED DRILL BIT SET

NK0010005



*Plastic Case Size: 240x195x28mm
 *Material and surface of all contents can be changed upto customer's requirement.

5x			3/4/5/6/8 mm
5x			4/5/6/8/10 mm
5x			4/5/6/8/10 mm
45x			5mm x 20pc 6mm x 15pc 8mm x 10pc
1x			12mm
1x	60mm		
8x	25mm		

21PC HAND TAPS (DIN352) & DIES (DIN223) SET

NK0010006

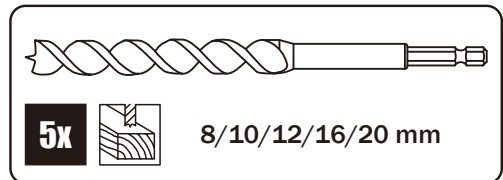


*Plastic Case Size: 240x195x28mm
 *Material and surface of all contents can be changed upto customer's requirement.

9x	DIN 352		M3/M4/M5/M6/M7/ M8/M10/M12 / 1/8"
1x	DIN 1814		M3-M12
9x	DIN 223		M3/M4/M5/M6/M7/ M8/M10/M12 / 1/8"
1x	DIN 225		25x9mm
1x			

5PC HEX SHANK JAPAN AUGER BIT SET

NK0010007

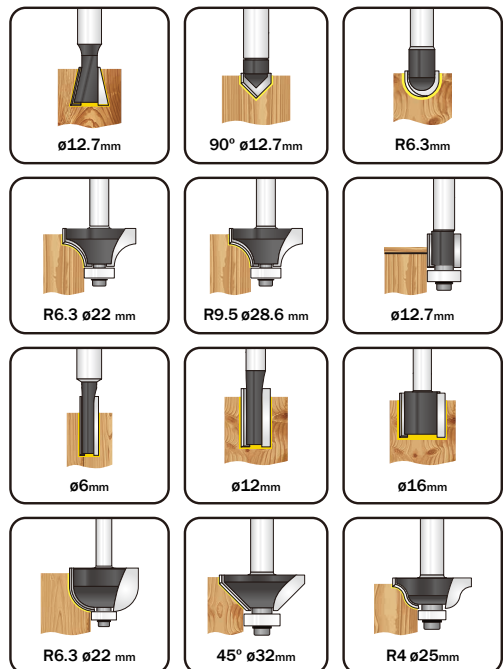


*Plastic Case Size: 200x205x31mm

*Material and surface of all contents can be changed upto customer's requirement.

12PC ROUTER BIT SET

NK0010008







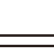
*Plastic Case Size: 200x205x31mm

*Material and surface of all contents can be changed upto customer's requirement.

17PC HAND TAPS (DIN352) SET

NK0010009

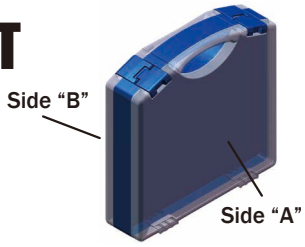


- 7x  2.5/3.3/4.2/5.0/6.8/8.5/10.2 mm
- 7x  **DIN 352** M3/M4/M5/M6/M8/M10/M12
- 1x  **DIN 1814** M3-M12
- 1x 
- 1x 





*Plastic Case Size: 200x205x31mm
 *Material and surface of all contents can be changed upto customer's requirement.

45PC POWER DRILLING & DRIVING SET

NK0010010









Side "A"

- 15x  3/3.5/4/4.5/5/5.5/6/6.5/7/7.5/8/8.5/9/9.5/10 mm
- 2x  6/8 mm
- 2x  6/10 mm
- 2x  2#/3#



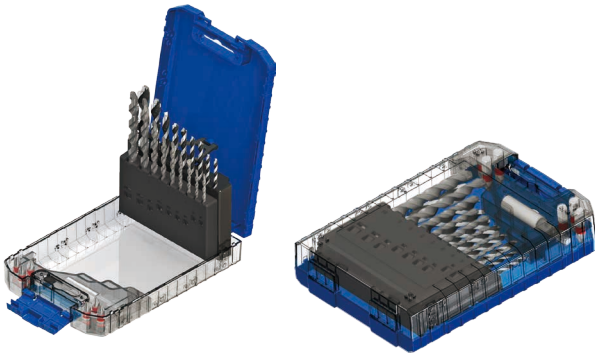
Side "B"

- 5x  4/5/6/8/10 mm
- 5x  4/5/6/8/10 mm
- 2x  13/25 mm
- 1x  60 mm
- 10x  25 mm
- 1x 

*Plastic Case Size: 200x205x56mm
 *Material and surface of all contents can be changed upto customer's requirement.

25PC POWER DRILLING & DRIVING SET

NK0010011



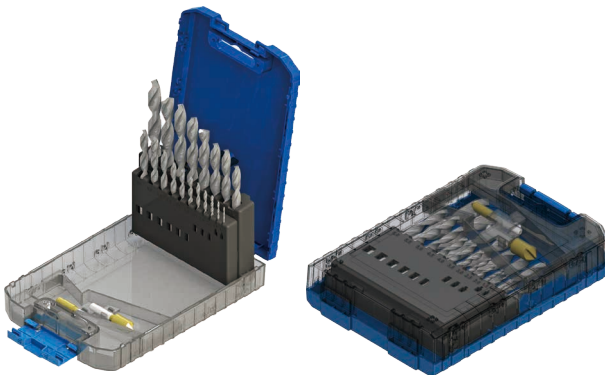
*Plastic Case Size: 118x168x34mm

*Material and surface of all contents can be changed upto customer's requirement.

9x			3/3/4/4/5/5/6/8/10 mm
9x			3/3/4/4/5/5/6/8/10 mm
1x	60 mm		
6x	25 mm		

21PC METAL WORKING DRILL BITS SET

NK0010012



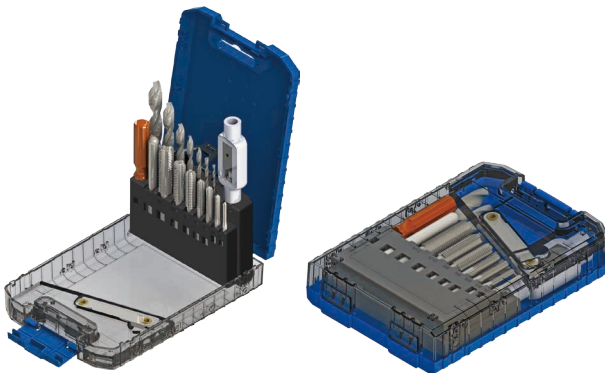
*Plastic Case Size: 118x168x34mm

*Material and surface of all contents can be changed upto customer's requirement.

19x			1/1.5/2/2.5/3/3.5/4/4.5/5/5.5/6 6.5/7/7.5/8/8.5/9/9.5/10 mm
2x			6/10 mm

17PC HAND TAPS (DIN352) SET

NK0010013



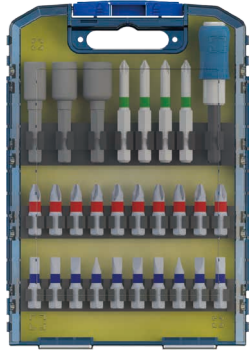
*Plastic Case Size: 118x168x34mm


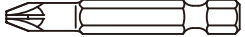

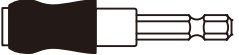
*Material and surface of all contents can be changed upto customer's requirement.

7x			2.5/3.3/4.2/5.0/6.8/8.5/10.2 mm
7x	DIN 352		M3/M4/M5/M6/M8/M10/M12
1x	DIN 1814		M3-M12
1x			
1x			

28PC SCREWDRIVER BIT SET

NK0010014






- 20x** **25 mm** 
- 4x** **50 mm** 
- 3x**  5/6/8 mm
- 1x** 

*Plastic Case Size: 118x168x25mm *Material and surface of all contents can be changed upto customer's requirement.

SCREWER & ANGLE DRIVE SET

NK0010015




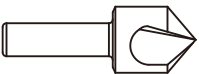
- 1 x** angle driver 
- 1 x** small ratchet set 
- 6x** **25 mm** 

*Plastic Case Size: 118x168x34mm *Material and surface of all contents can be changed upto customer's requirement.

6PC HSS STEP DRILL BIT & COUNTERSINK SET

NK0010016



- 3x** **HSS** 4-12mm
4-20mm
4-32mm 
- 3x** **HSS** 10mm
12mm
16mm 

*Plastic Case Size: 118x168x34mm *Material and surface of all contents can be changed upto customer's requirement.

17PC SELF-CENTERING AND COUNTERSINK SET



NK0010017

3x		6#/8#/10#
3x		5/64" - 7/64" - 9/64"
1x	60 mm	
10x	25 mm	

*Plastic Case Size: 118x168x25mm *Material and surface of all contents can be changed upto customer's requirement.

10PC METAL WORKING DRILL BITS SET

NK0010018



8x		3/4/5/6/7/8/9/10 mm
2x		6/10 mm

*Plastic Case Size: 118x168x25mm *Material and surface of all contents can be changed upto customer's requirement.

10PC WOOD WORKING DRILL BITS SET

NK0010019





8x		3/4/5/6/7/8/9/10 mm
1x		12mm
1x		


*Plastic Case Size: 118x168x25mm *Material and surface of all contents can be changed upto customer's requirement.

10PC MASONRY DRILL BITS SET

NK0010020



9x  
4/5/5/6/6/8/8/10/12 mm


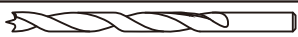
1x  40x15mm



*Plastic Case Size: 118x168x25mm *Material and surface of all contents can be changed upto customer's requirement.




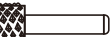



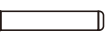
12PC ASSORTED WOODWORKING ACCESSORIES SET

NK0010021



6x  
3/4/5/6/8/10 mm

1x  
6 mm

4x    
   

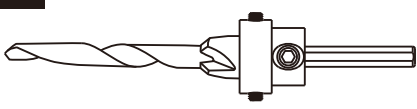
1x  


*Plastic Case Size: 118x168x25mm *Material and surface of all contents can be changed upto customer's requirement.

8PC COUNTERSINK DRILL BITS SET

NK0010022



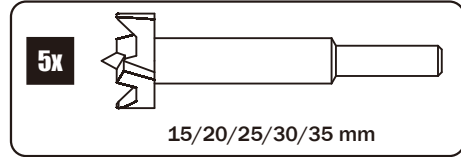
7x 3, 3.5, 4, 4.5, 5, 5.5, 6 mm 

2.5 mm 

*Plastic Case Size: 118x168x25mm *Material and surface of all contents can be changed upto customer's requirement.

5PC FORSTNER DRILL BIT SET

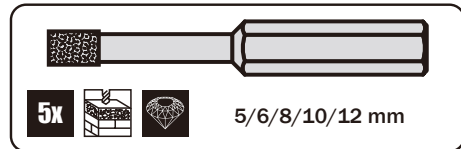
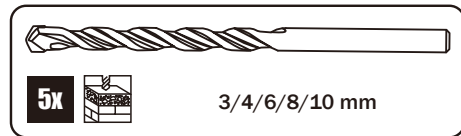
NK0010023



*Plastic Case Size: 118x168x34mm *Material and surface of all contents can be changed upto customer's requirement.

10PCS TILING WORKING SET

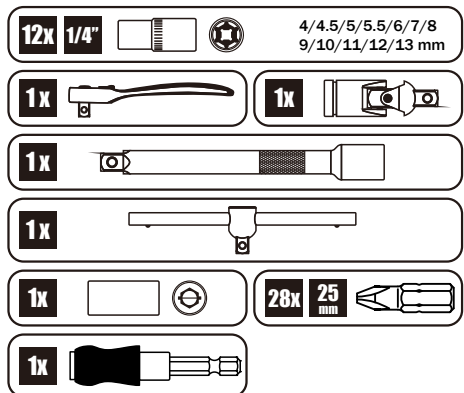
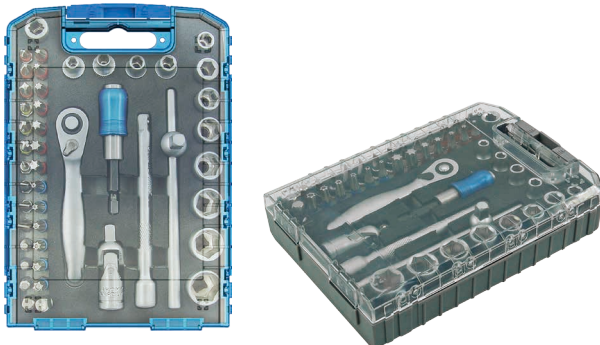
NK0010024



*Plastic Case Size: 118x168x25mm *Material and surface of all contents can be changed upto customer's requirement.

46PC SCREWDRIVER BIT & SOCKET SET

NK0010025






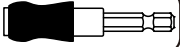




*Plastic Case Size: 118x168x34mm *Material and surface of all contents can be changed upto customer's requirement.

43PC SCREWDRIVER BIT & SOCKET SET

NK0010026



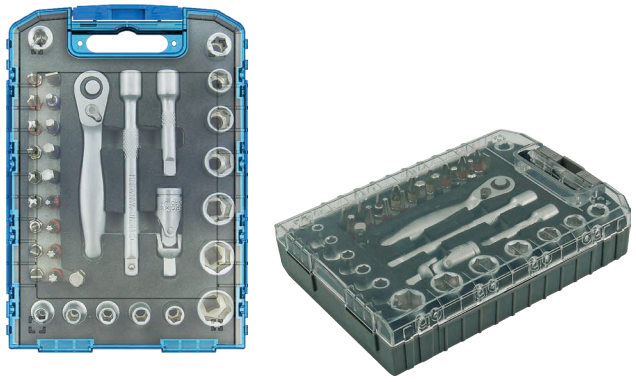
- 12x 1/4"   4/4.5/5/5.5/6/7/8
9/10/11/12/13 mm
- 1x 
- 1x   27x 25 mm
- 1x  
- 1x 

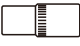






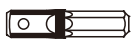


*Plastic Case Size: 118x168x34mm

*Material and surface of all contents can be changed upto customer's requirement.

36PC SCREWDRIVER BIT & SOCKET SET

NK0010027



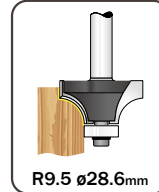
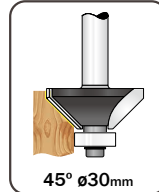
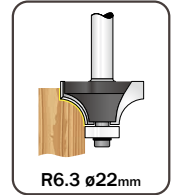
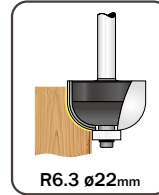
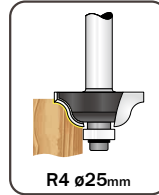
- 12x 1/4"   4/4.5/5/5.5/6/7/8
9/10/11/12/13 mm
- 1x 
- 1x   18x 25 mm
- 1x  
- 1x 
- 1x 
- 1x 

*Plastic Case Size: 118x168x34mm

*Material and surface of all contents can be changed upto customer's requirement.

5PC ROUTER BIT SET FOR PROFILE CUTTING

NK0010028

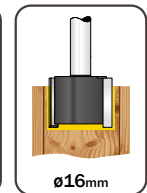
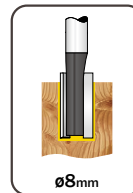
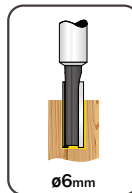
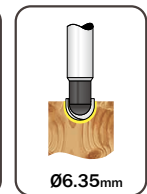
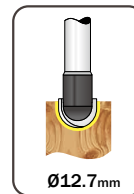
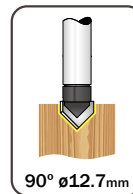
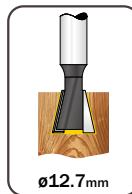


*Plastic Case Size: 118x168x34mm

*Material and surface of all contents can be changed upto customer's requirement.

8PC ROUTER BIT SET FOR STRAIGHT CUTTING

NK0010029



*Plastic Case Size: 118x168x25mm

*Material and surface of all contents can be changed upto customer's requirement.



EXTEND YOUR HANDS



MARKTOP TOOLS DEVELOPMENT LTD.

4th floor, hydrology archives building,
370 North Shaoshan Road,
Changsha 410007 Hunan, China
Tel: +86-731 85506681
Fax: +86-731 85506612
Email: jasonzhao@marktop.com